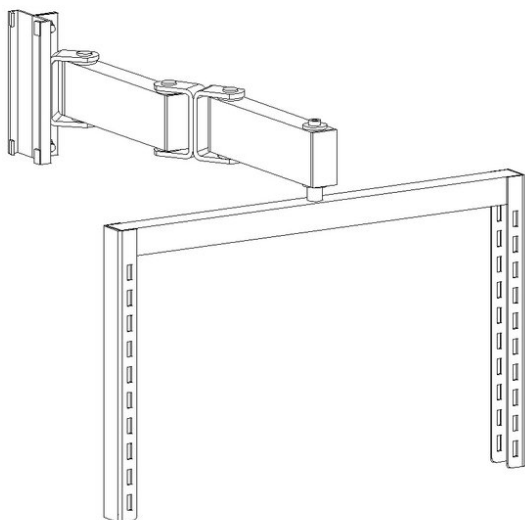


Rotating tool panel ESD 513x320, double arm



Rotating tool panel frame with a double arm, can be equipped with perforated panels, tool troughs and bin rails

Product code 880865-49P

Width mm 513

Height mm 320

Max load kg 15

ESD Yes

Warranty years 5

Available for the following products

EAN-code 6416763078813