

# TRESTON

Treston Ergo  
Treston Ergo ESD

Ident. - Nr. 53806.0000.03



C20PU  
C30AL  
C30BL  
C30B

C25PU  
C35AL  
C35BL  
C35B

C20PU-ESD  
C30AL-ESD  
C30BL-ESD  
C30B-ESD

C25PU-ESD  
C35AL-ESD  
C35BL-ESD  
C35B-ESD

Treston Oy  
Sorakatu 1, 20730 Turku Finland  
Tel. +358 10 4469 11 · Fax +358 10 4469 789  
sales@treston.com · www.treston.com

Assembly and operating instructions  
Montage- und Bedienungsanleitung  
Instructions de montage et mode d'emploi  
Asennus- ja käyttöohjeet  
Monterings- och bruksanvisning  
Инструкция по сборке и эксплуатации



**A**

page 4 - 9



**E**

page 16 - 17



**B**

page 10 - 11



**F**

page 18 - 19



**C**

page 12 - 13



**G**

page 20



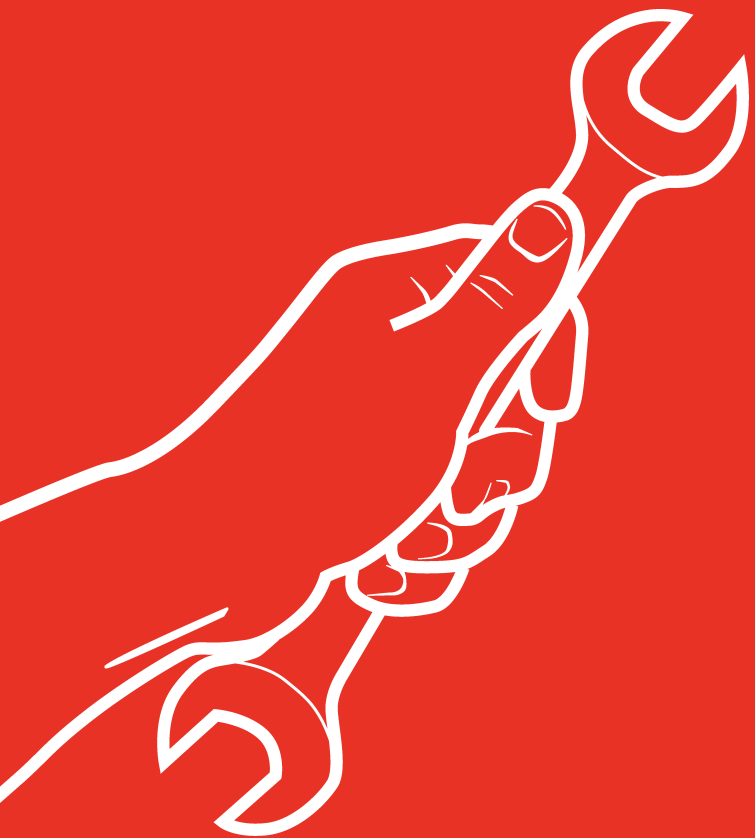
**D**

page 14 - 15

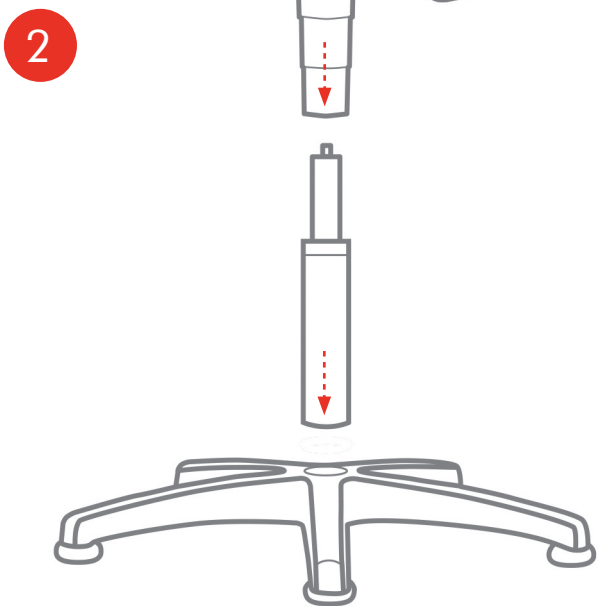
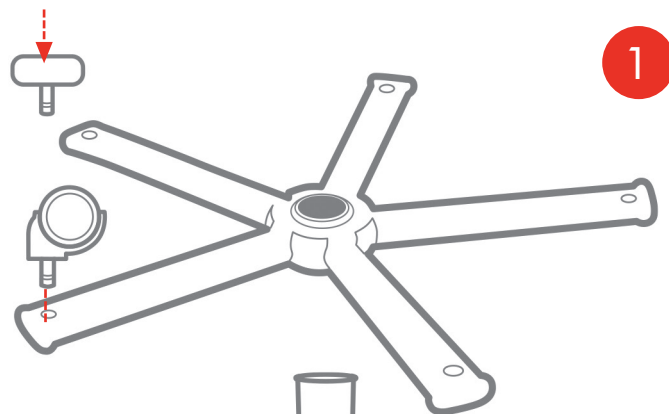


**H**

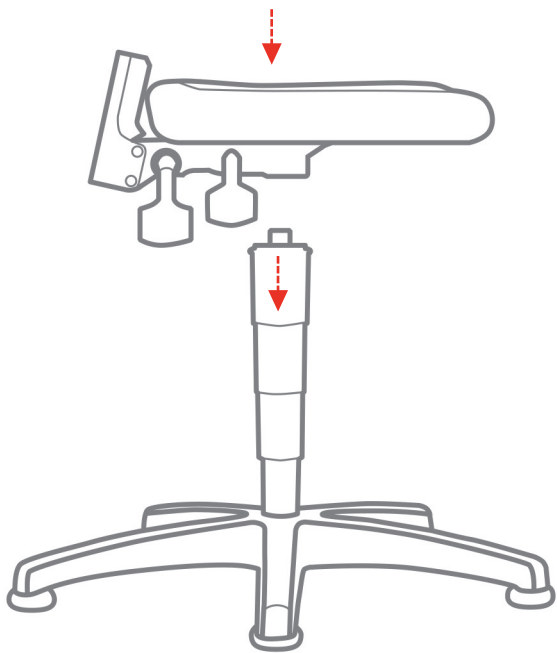
page 21



A

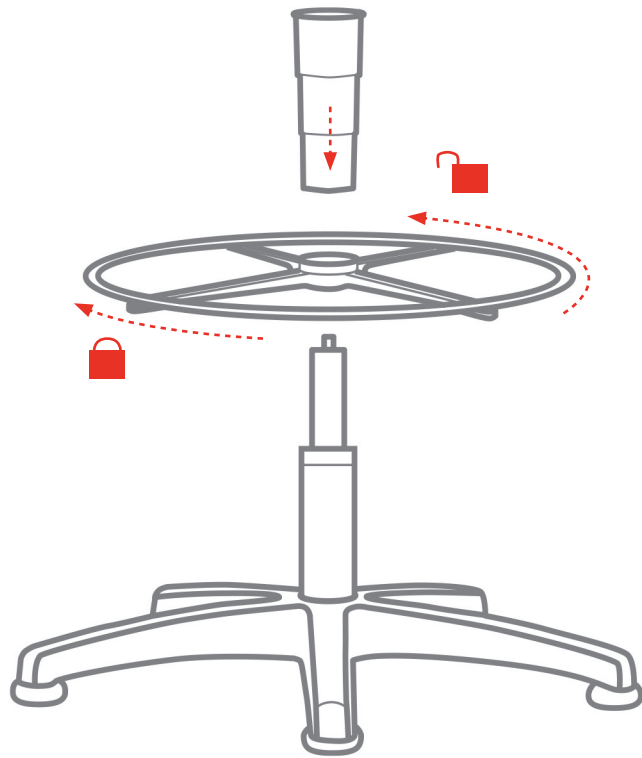


3



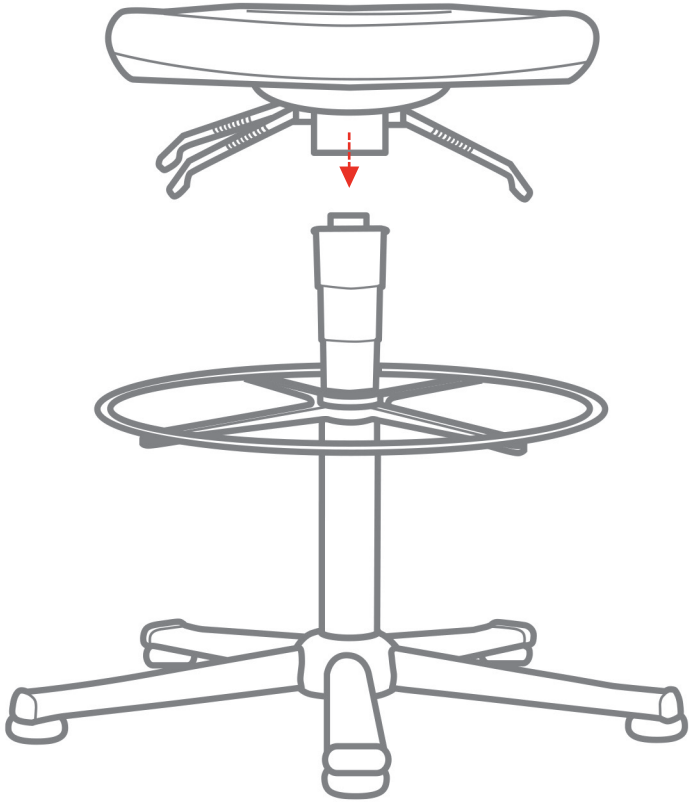
6

4



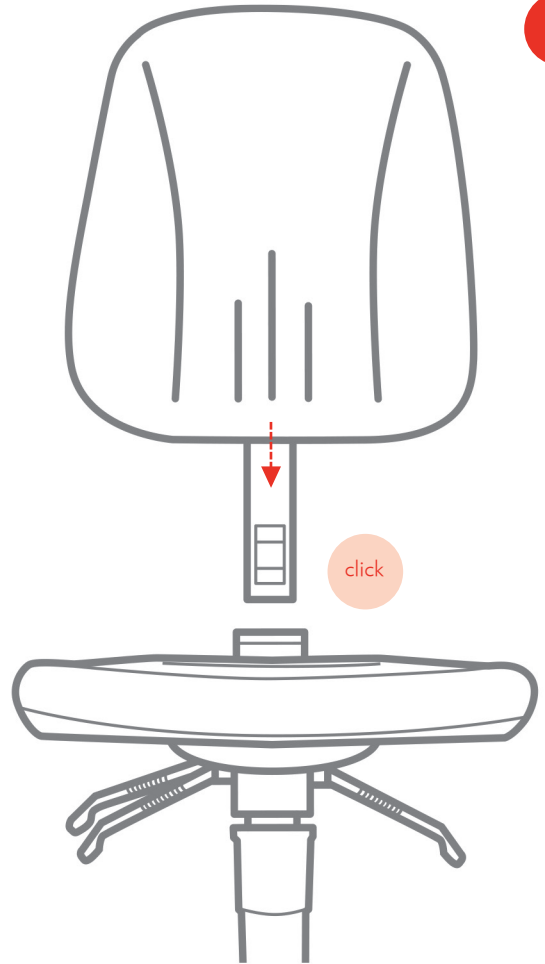
7

5



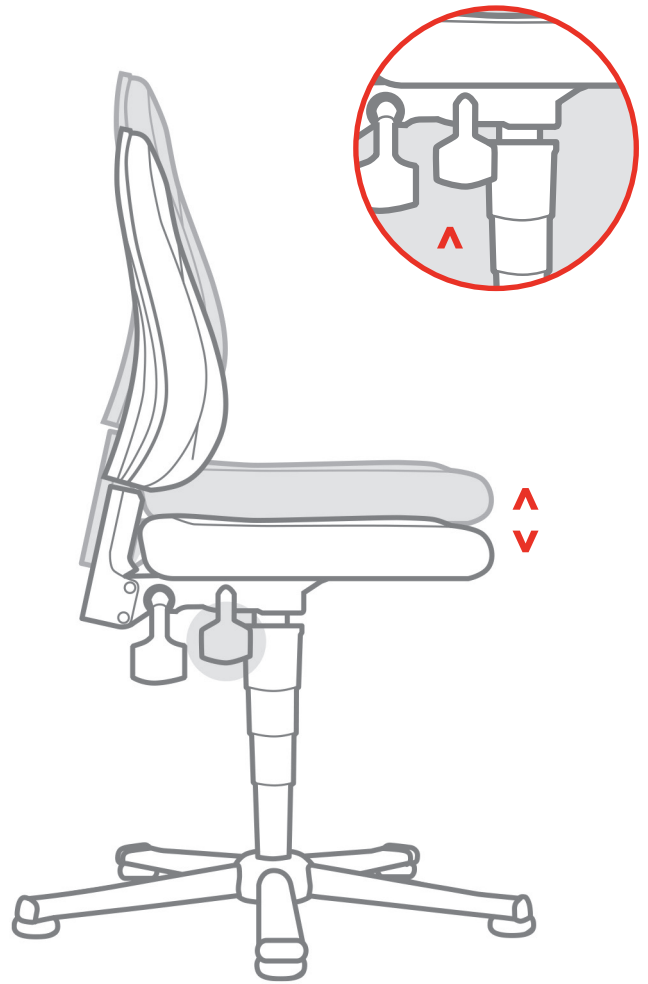
8

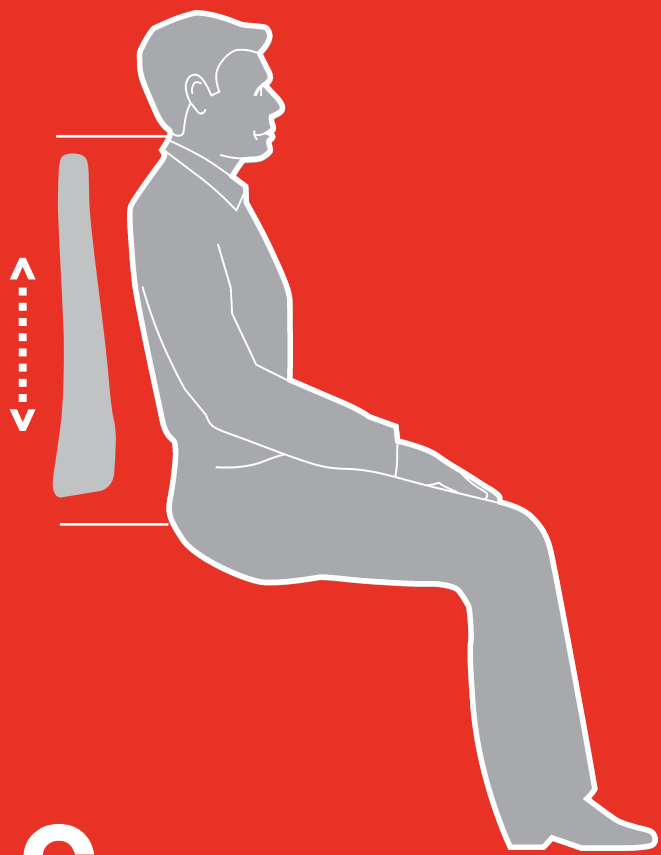
6



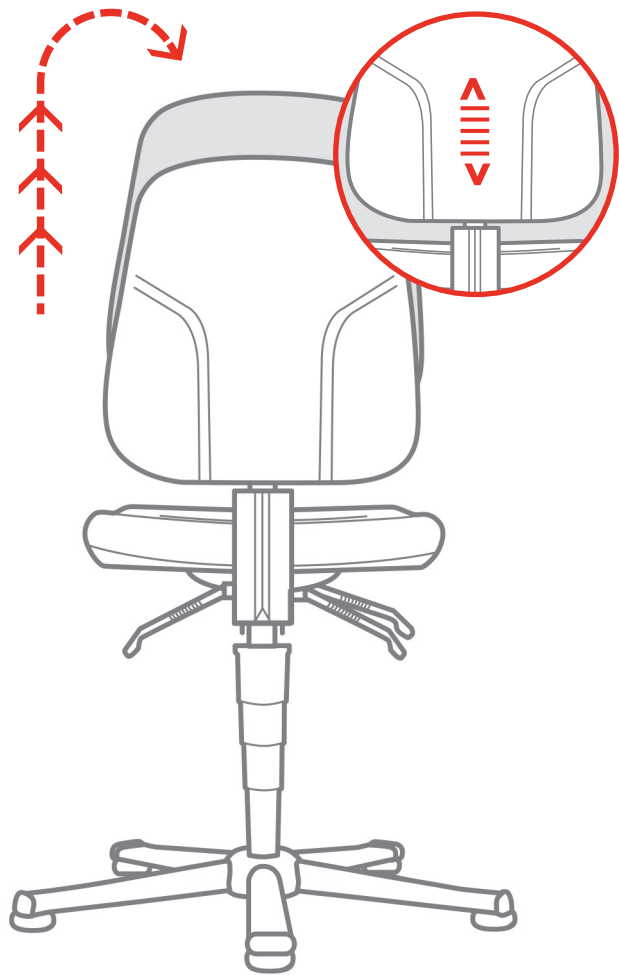
9

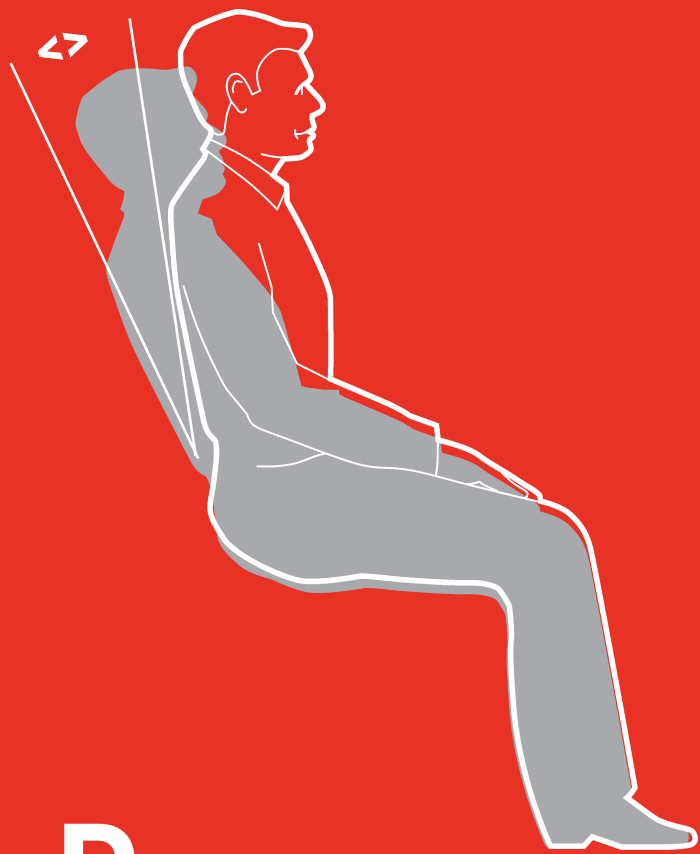
**B**



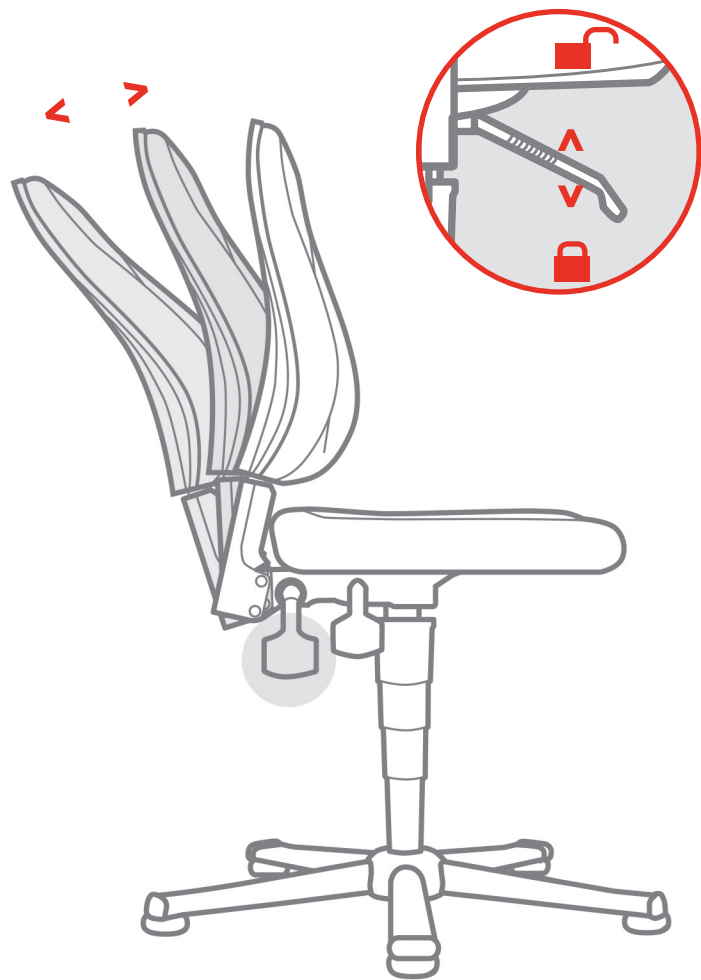


C



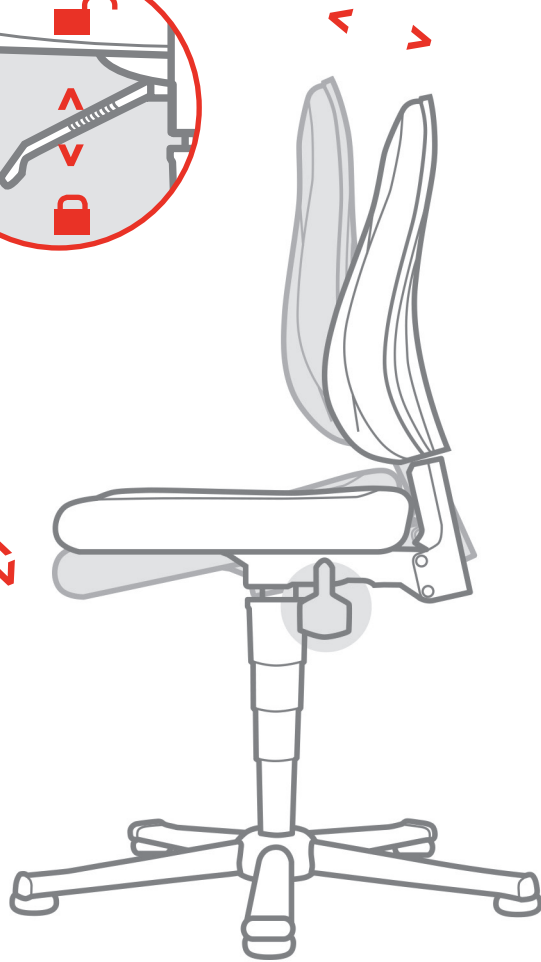
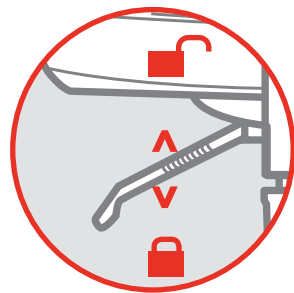
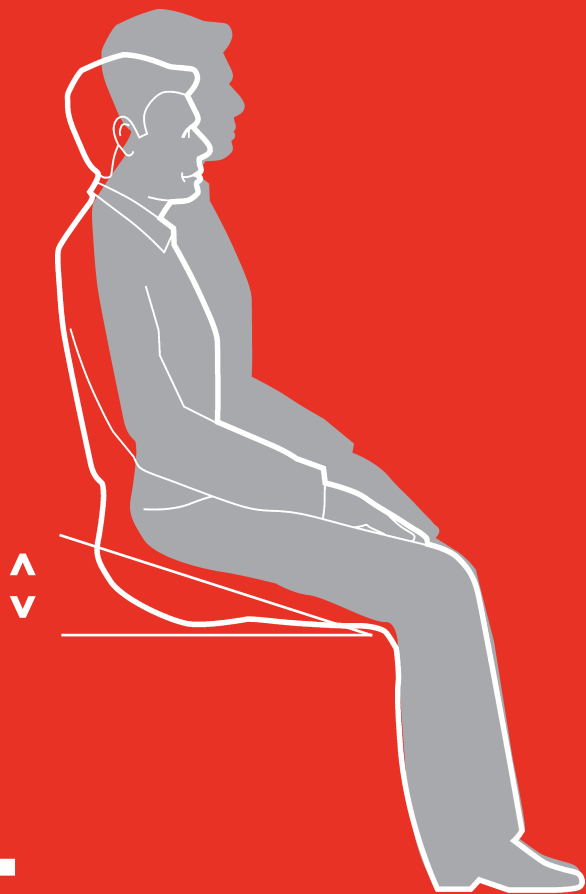


D

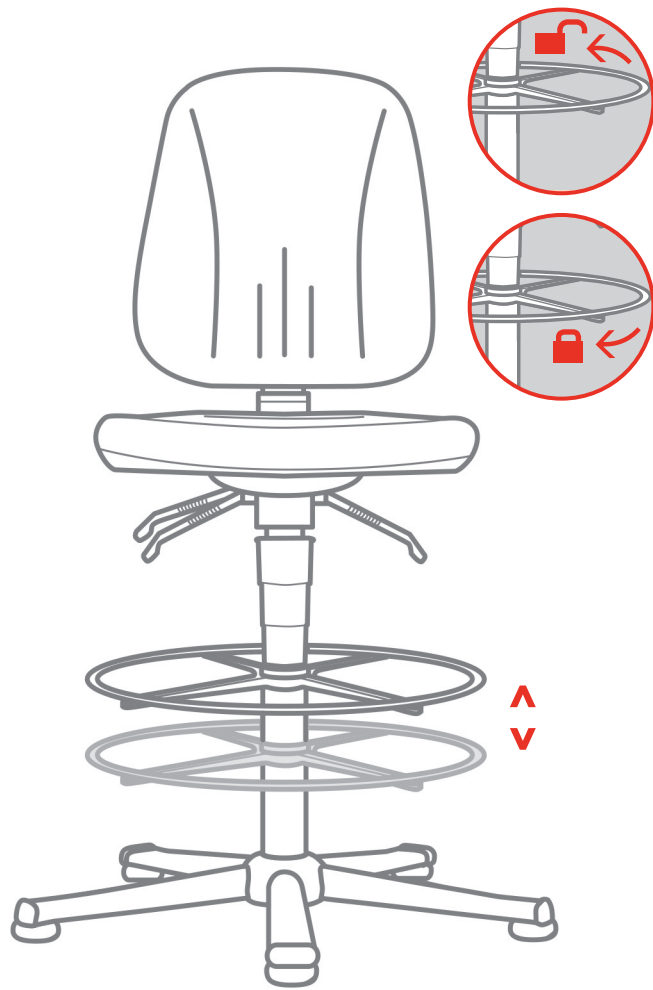




E



F



# G



# H



[www.bimos.de/cleaning.html](http://www.bimos.de/cleaning.html)

**DIN**  
**68877**



Garantie  
**10**  
Jahre

